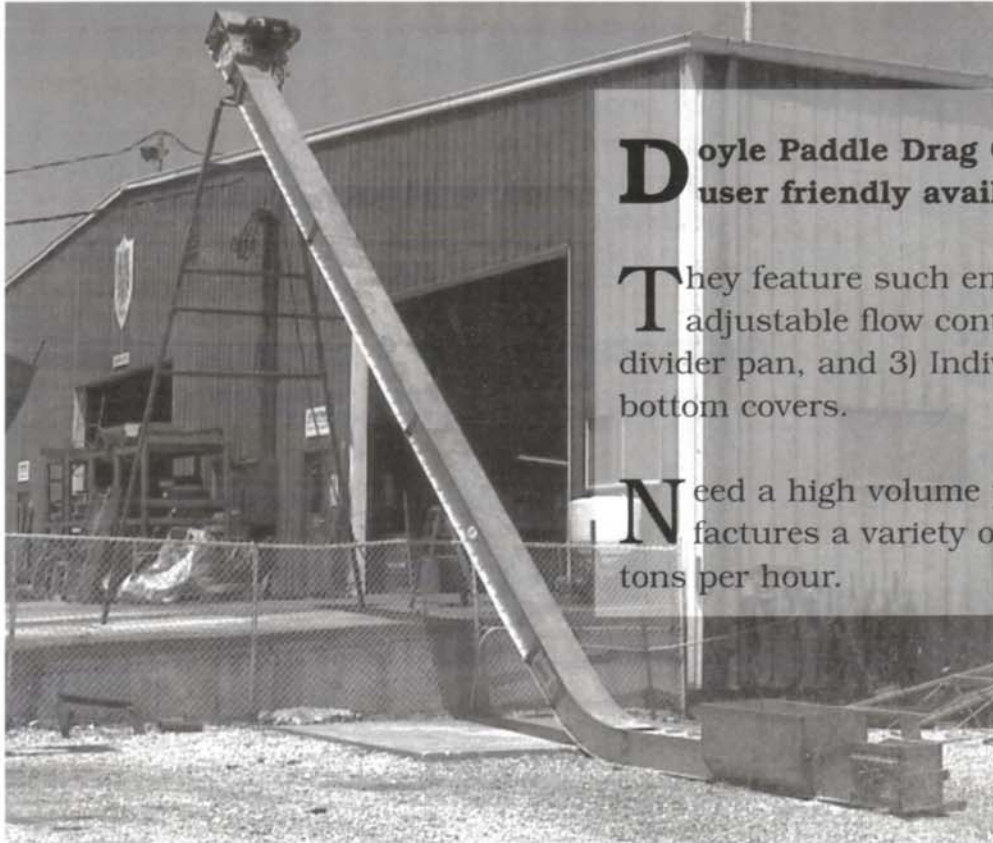




PADDLE DRAG CONVEYORS

The "User Friendly" Doyle Paddle Drag Conveyor Is Designed To Be Convenient, Reliable, & Fast



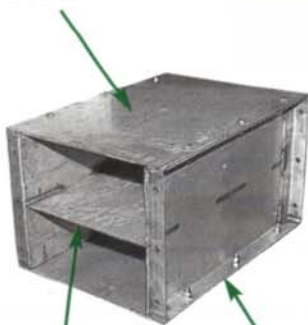
Doyle Paddle Drag Conveyors are the most user friendly available.

They feature such enhancements as: 1) Easily adjustable flow control gates, 2) Stainless steel divider pan, and 3) Individually removable top and bottom covers.

Need a high volume paddle drag? Doyle manufactures a variety of models, starting at 60 tons per hour.

Doyle Paddle Drag Conveyor Features:

Bolt-on top cover



Heavy gauge stainless divider

No Mild Steel! The conveyor's strong "H" body construction has removable top & bottom covers for complete access to either the return or carrying sections. Everything, including the dividing pan, is built out of type 304 stainless steel.

Bolt-on bottom cover

Superior UHMW Flights: The paddles are a hefty 5/8" thick, and the "flat" paddle design moves more fertilizer than 90 degree bend paddles.

Additionally, every Paddle Drag conveyor has two wipers that keep the trough clean inside.

Hardened steel pins

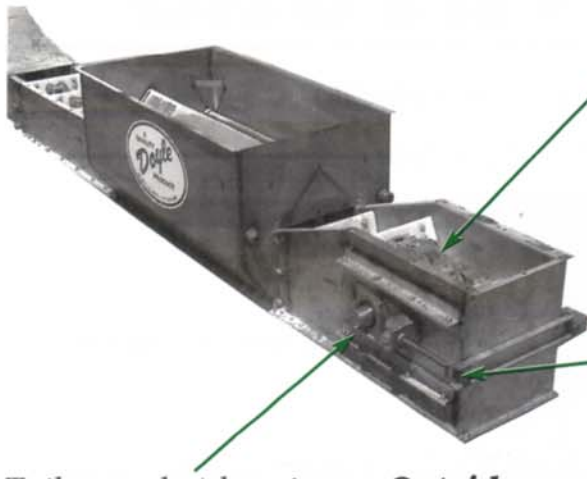


5/8" thick, long wearing UHMW paddles are mounted with stainless bolts.

Doyle Paddle Drag Conveyors

Paddle Drag Tail Section

Environmental Compliance



Quality chilled rim cast iron tail sprocket, either 11.70 or 13.79 pitch diameter.*

Outside mounted twin stainless take-ups. **You are sure of proper sprocket and chain alignment and easy, clean adjustments.**



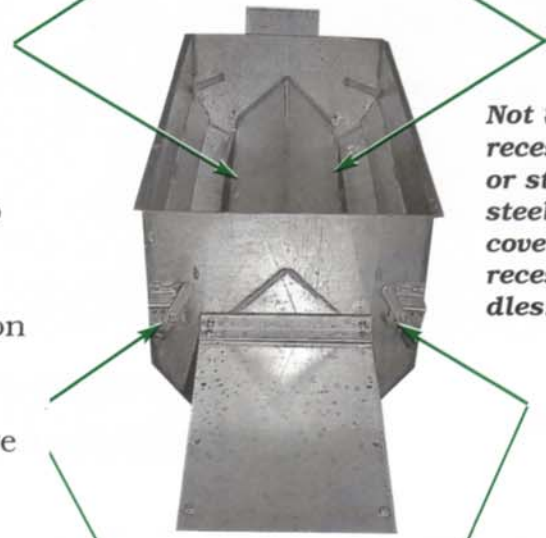
The Doyle Paddle Drag is totally sealed for clean fertilizer handling.*

Tail sprocket bearings: **Outside mounting means they are not operating in a dirty fertilizer environment, plus they are easier to get to and replace.**

*Covers removed in photos to show detail.

Adjustable Flow Bypass Inlet

Gates (shown mostly closed)



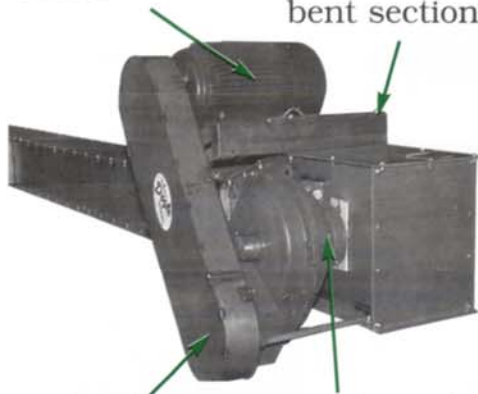
Not Shown, recessed grate or stainless steel hopper cover with recessed handles.

Easily Adjustable Gate Controls: Adjust left or right side independently with locking stainless steel handles. Allows for wide variety of flow rates.

Quality Drive Components

Quality TEFC Motor

Motor mount is made of stainless tubular steel. No bent sections or channel used. Motor mount bolts on for quick removal and access to drive sprocket.



Totally enclosed stainless steel belt guard.

Taper bore shaft mount reducer.

Doyle Equipment Mfg. Co., Inc.

P.O. Box 3024 • 3900 Broadway

Quincy, Illinois, USA 62305

217-222-1592, Fax 217-223-3655

E-mail: doyle@rnet.com • Website: www.doylemfg.com

