



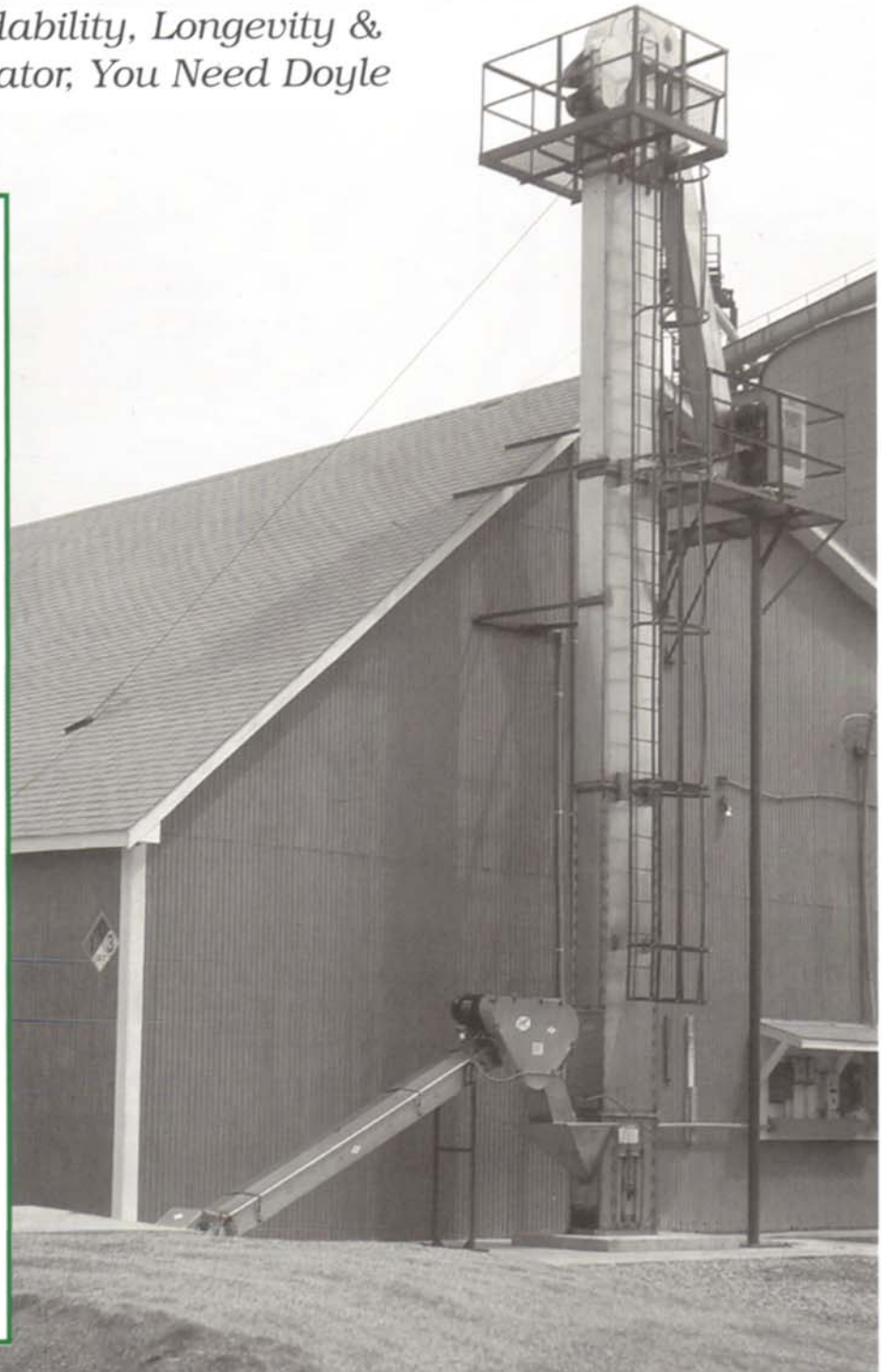
BUCKET ELEVATORS

When You Need Dependability, Longevity & Speed In A Bucket Elevator, You Need Doyle

The Doyle family of Bucket Elevators range in capacity from 60 to 400 tons per hour, based upon 60 pounds per cubic foot material handled. Featuring heavy duty polyethylene buckets mounted to high tensile strength PVC belt, they provide more dependable service than bucket elevators of a generation ago. Doyle specializes in the fabrication of type 304 stainless steel bucket elevators for use in harsh environments.

In addition to building bucket elevators, a full line of accessories, including valves, distributors, and spouting are offered.

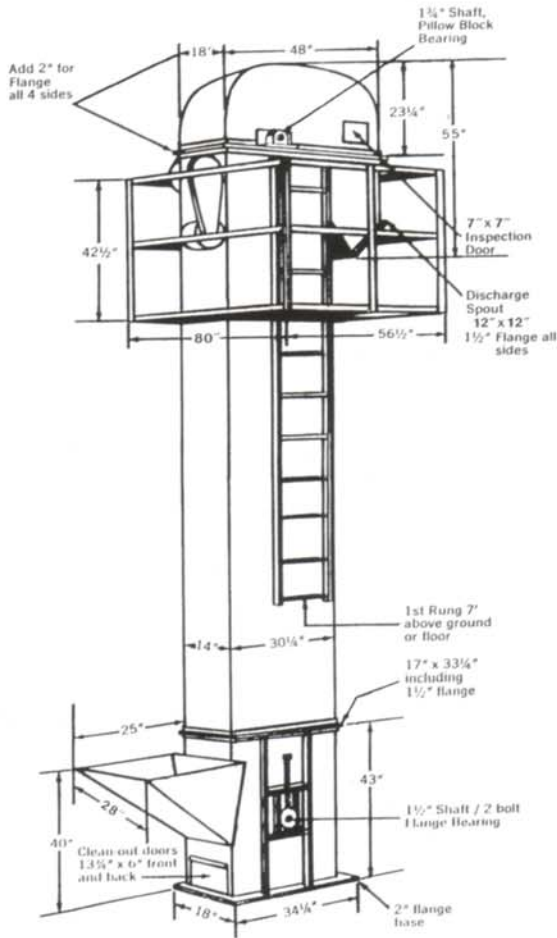
Proposal drawings based upon your application are available.



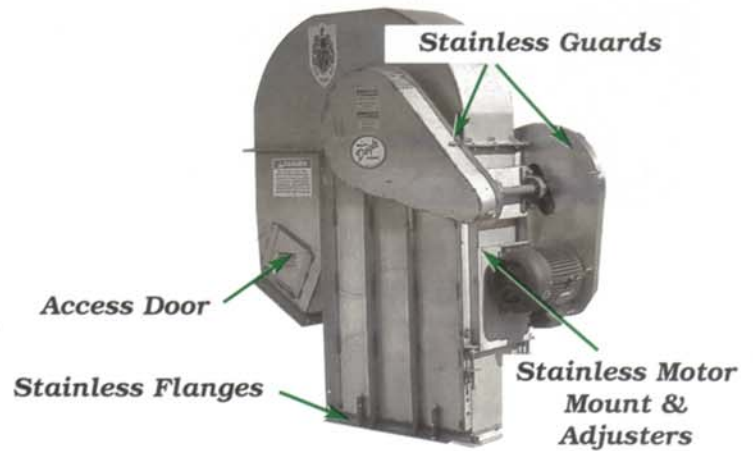
A Doyle 120 TPH Bucket Elevator Is Fed By A Doyle 18" Wide Undertruck Chainbelt Conveyor

Doyle Bucket Elevators

Standard Features & Dimensions For The 90 & 120 TPH Model Bucket Elevator



90 & 120 TPH Head Section

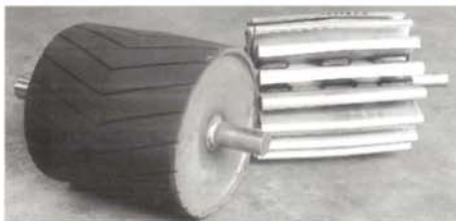


Buckets, Regular & Digger



Polyethylene buckets (L) can operate in temperatures from -60 degrees F to +200 degrees F and are designed for centrifugal discharge elevators. (R) Stainless digger buckets are sometimes used, normally every tenth bucket.

Elevator Head & Boot Pulley*



*90 & 120 TPH models only

Left: Head Pulley Is Rubber Lagged & Crowned.
Right: Boot Pulley Is Stainless Steel & Self-Cleaning.

Valves & Accessories



Three Way Valve



Distributors

Doyle offers a full line of valves, elbows, spouts, etc.

Doyle Equipment Mfg. Co., Inc.

P.O. Box 3024 • 3900 Broadway

Quincy, Illinois, USA 62305

217-222-1592, Fax 217-223-3655

E-mail: doyle@rnet.com • Website: www.doylemfg.com

